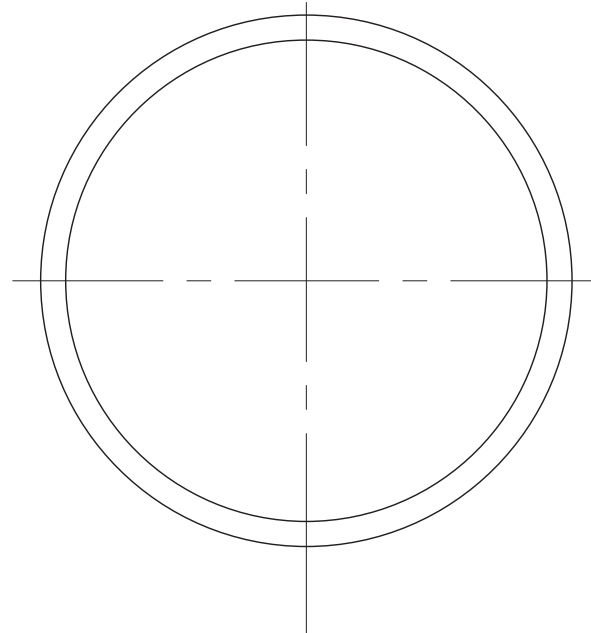
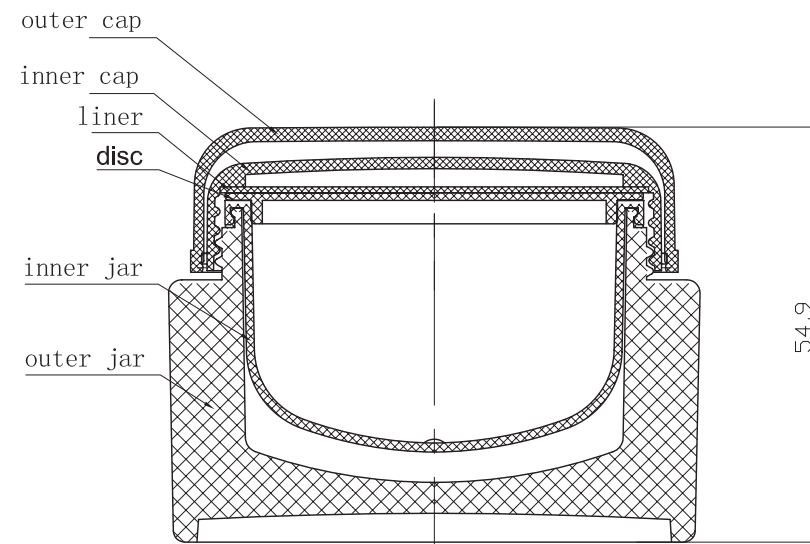


REVISIONS			
REV.	DESCRIPTION	DATE	BY
A	INITIAL RELEASE	1/15/18	GW



	PROJECT NO.	TOLERANCE 0 ≥ 10 -- ± 0.15 50 ≥ 70 -- ± 0.5 10 ≥ 20 -- ± 0.2 70 ≥ 90 -- ± 0.7 20 ≥ 30 -- ± 0.3 80 ≥ 150 -- ± 1 30 ≥ 50 -- ± 0.4 ≥ 200 -- > 2 ANGULAR: ± 1° 30'
	PART NO. J03050	
PRODUCT: 50ml ROUND JAR - ASSEMBLY		
WEIGHT: N/A	DRAWN BY: GW	OFC: N/A
PROG:	SCALE: 1:1	MATERIAL: N/A
DATE: 1/15/18	DWG NO.	

All Circled Dimensions Are Critical to Function